



Low Cost Submersion and In-Line pH Electrodes



S260 Series Ryton Sensors



S222 Series Quick Disconnect Models

Economical design for in-line or submersion use

Choose from single or double junction models

Threaded 1/2" or 3/4" NPT connections

Choose from spherical or flat pH measuring surfaces

Special models for low ionic and other specialty applications available

This series of electrodes are designed to provide an economical multi-purpose solution for in-line or submersion pH measurements. Based on our proven S200C bulb and S350CD flat surface pH glass technology, these rugged and durable electrodes are available in Ryton nipples with 1/2" or 3/4" NPT threads; or in our durable epoxy body with or without quick disconnect top caps. Choose from single or double junction designs, flat or recessed measuring surfaces, pH or ORP configurations and cable lengths and connectors as required. For special configurations such as low ionic models, fluoride resistant pH glass and other specialty sensors, please contact the Sensorex sales or technical support department.



Low Cost Submersion and In-Line pH Electrodes

Designed to provide an economical multi-purpose solution for in-line or submersion pH measurements.

Specifications

Measuring Range	0-14 pH (sodium ion error >12.3pH)
Body material	Epoxy (S200 and S222 Series) or Ryton, (S265-S269 Series)
Temperature/Pressure Rating	10-76 Degrees C/100 psig maximum , 77-81 Degrees C/75psig maximum, 82-100 Degrees C/50psig maximum
Connector Choices	BNC, tinned wires (other connectors available for an additional charge)
Cable length	30" or longer for S200 Series longer engths at additional cost user specified, (Cap-cable S653 required for S222 Series). 10ft length standard for S265-S269 series (longer at addadional cost)
Process Connection	1/2" or 3/4" MNPT for submersion or in-line

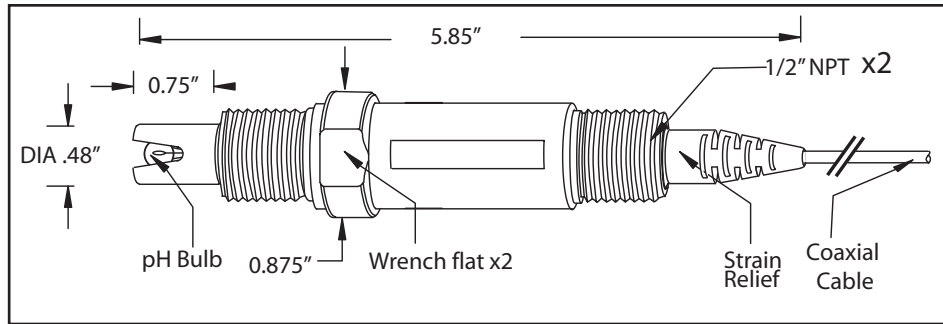
Ordering Information

These economical sensors are submersion and in-line ready by utilizing the 1/2" or 3/4" MNPT threads on the sensor. 10ft cable length is standard. Special lengths available upon request.

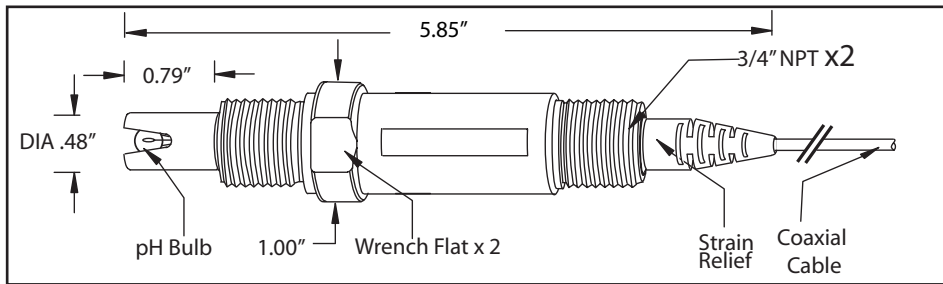
pH Sensors	Nipple	Type
(To order an ORP model instead of pH, simply add - ORP to the model numbers below.)		
S265C	Ryton	Single junction 1/2" NPT spherical style bulb
S265CD	Ryton	Double junction 1/2" NPT spherical style bulb
S267C	Ryton	Single junction 3/4" NPT spherical style bulb
S267CD	Ryton	Double junction 3/4" NPT spherical style bulb
S268CD	Ryton	Double junction 1/2" NPT flat surface style bulb
S269CD	Ryton	Double junction 3/4" NPT flat surface style bulb



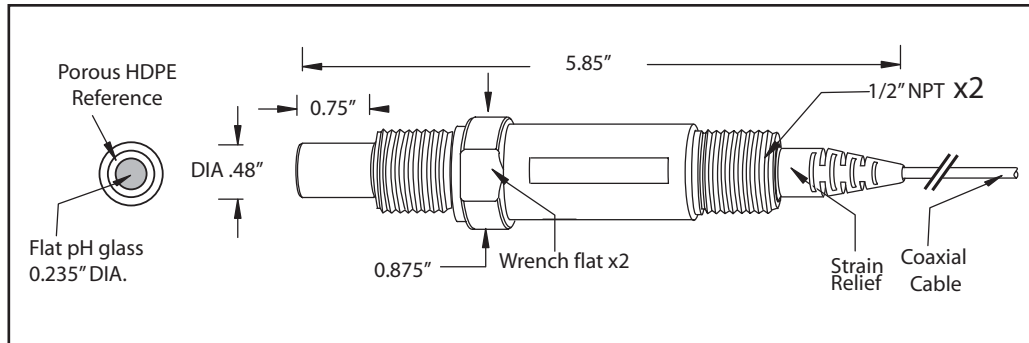
S265C/CD



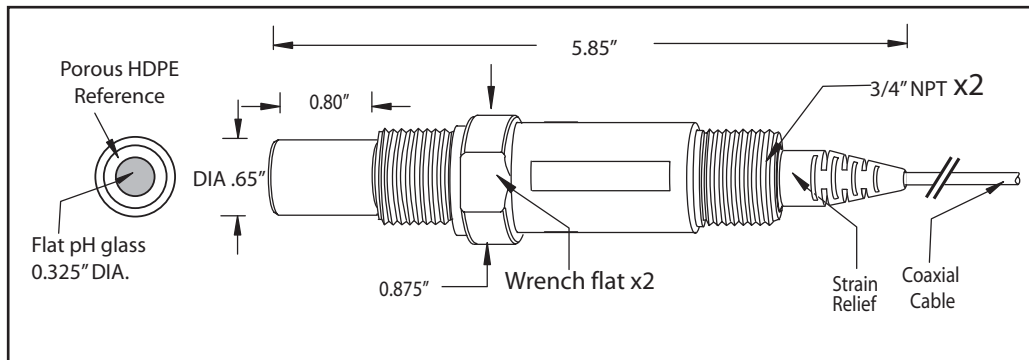
S267C/CD



S268CD



S269CD



11751 Markon Dr.
Garden Grove, CA 92841 USA

Tel: 714-895-4344
Fax: 714-894-4839
E-mail: info@sensorex.com
www.sensorex.com

Parts covered by this product data sheet include: S200C, S200CD, S222C, S222CD, S265C-S269CD